



SG320240B (320 DOTS X 240 DOTS)

■ FEATURES

- ◆ RECOMMENDED CONTROLLER
- ◆ (HD64646/MSM6225/SED1335)
- ◆ +5 V POWER SUPPLY
- ◆ 1/240 DUTY CYCLE
- ◆ EDGE LIGHTING TYPE CCFL BACKLIGHT

■ MECHANICAL DATA

ITEM	DIMENSIONS	UNIT
Module Size (W x H x T)	160.0 x 109.0 x 11.0	mm
Viewing Area (W x H)	122.0 x 92.0	mm
Active Area (W x H)	115.19 x 86.39	mm
Dot Size (W x H)	0.35 x 0.35	mm
Dot Pitch (W x H)	0.36 x 0.36	mm

■ INTERFACE PIN CONNECTIONS

NO.	SYMBOL	LEVEL	FUNCTION
1	DB0	H/L	Data Bit0
2	DB1	H/L	Data Bit1
3	DB2	H/L	Data Bit2
4	DB3	H/L	Data Bit3
5	/DISPOFF	H/L	Display OFF . Active LOW .
6	FLM	H	Frame Start Signal
7	NC	-	No Connection .
8	CL1	H→L	Common Driver Data Shift Signal
9	CL2	H→L	Clock Pulse For Segment Shift Register
10	V _{DD}	5V	Power Supply Voltage
11	V _{SS}	0V	Power Supply Ground
12	V _{EE}	-	Power Supply Voltage For LCD
13	V _O	-	Contrast Adjustment Voltage
14	FGND	-	Frame Ground

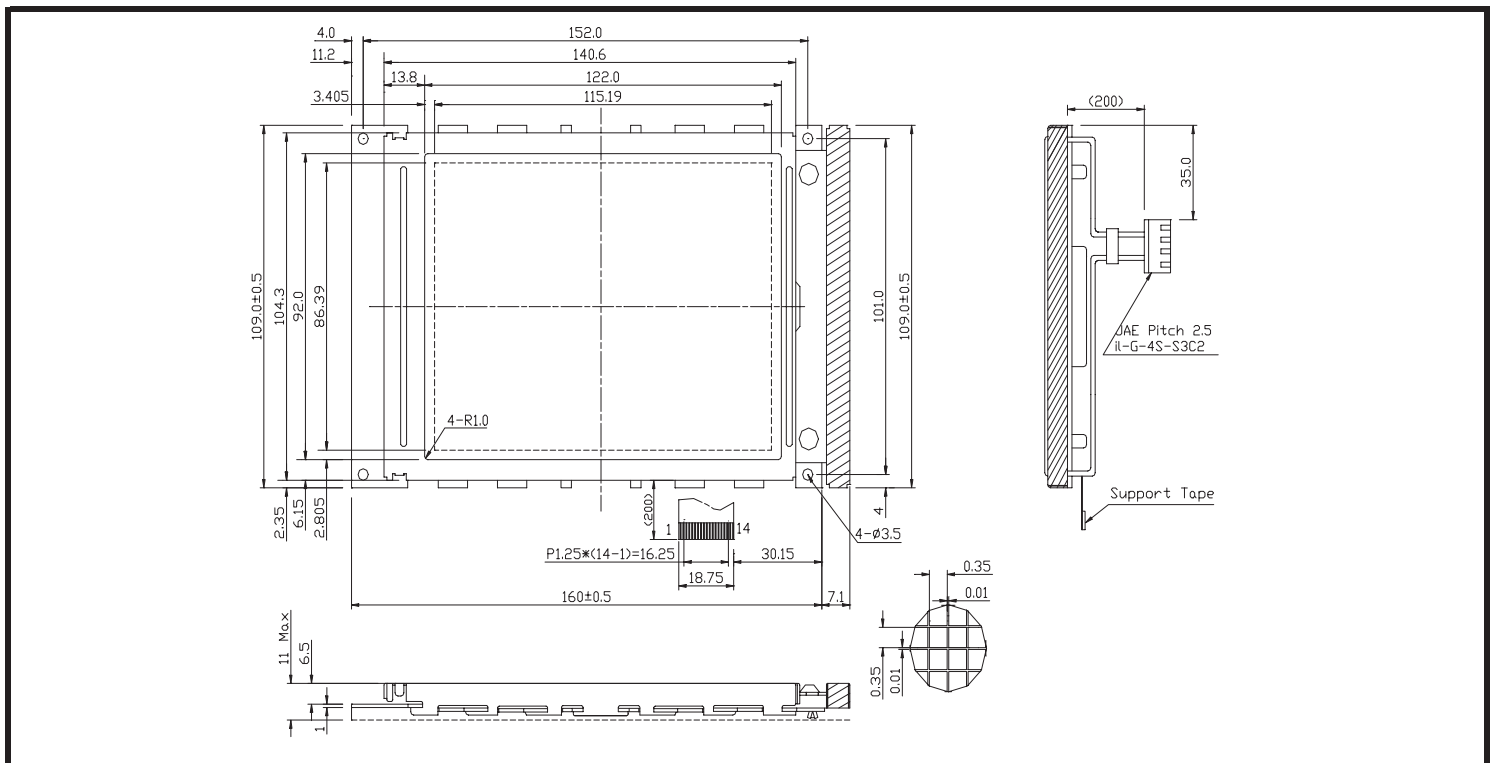
■ ABSOLUTE MAXIMUM RATINGS

ITEM	SYMBOL	MIN.	TYP.	MAX.	UNIT
Supply Voltage For Logic	V _{DD} -V _{SS}	0	-	7	V
Supply Voltage For LCD Drive	V _{DD} -V _O	0	-	30	V
Input Voltage	V _I	V _{SS}	-	V _{DD}	V

■ ELECTRICAL CHARACTERISTICS

ITEM	SYMBOL	CONDITION	MIN.	TYP.	MAX.	UNIT	
Supply Voltage For Logic	V _{DD} -V _{SS}	-	4.5	5	5.5	V	
LCD Supply Voltage	V _{DD} -V _O	V _{DD} =5V Ta=25°C	22.4	23.5	24.3	V	
Supply Current	I _{DD}	V _{DD} =5V	-	16	25	mA	
Input Voltage	"HIGH" Level	V _{IH}	-	2.2	-	V _{DD}	V
	"LOW" Level	V _{IL}	-	-	-	0.6	V
Output Voltage	"HIGH" Level	V _{OH}	-	2.4	-	V	V
	"LOW" Level	V _{OL}	-	-	-	0.4	V

■ EXTERNAL DIMENSIONS

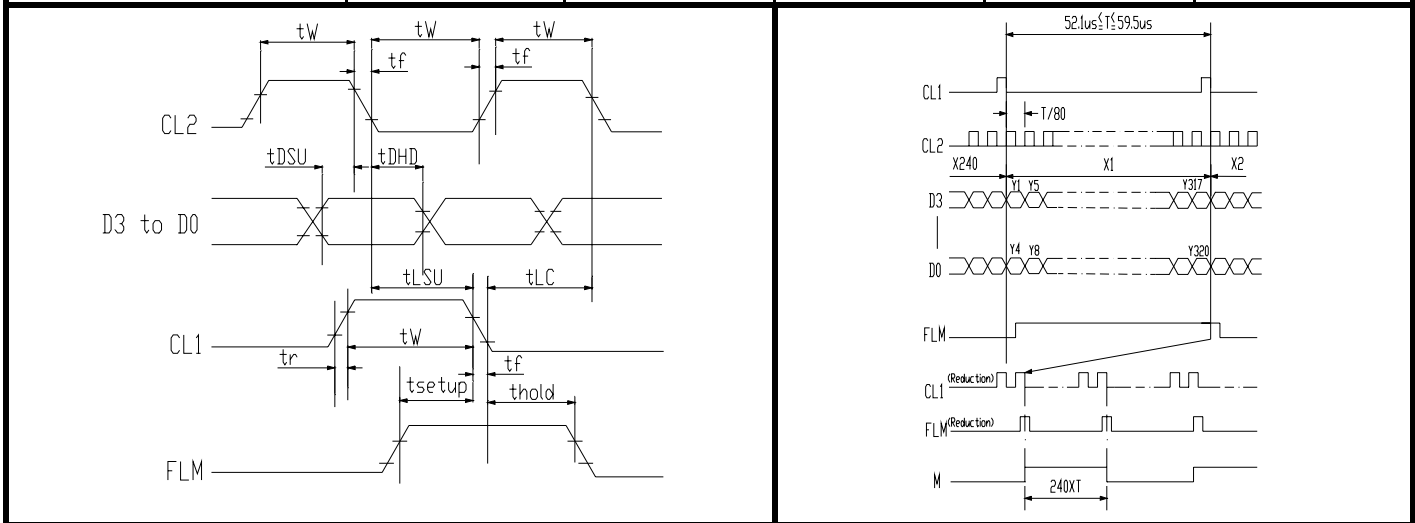




SG320240B (320 DOTS X 240 DOTS)

■ TIMING CHARACTERISTICS

ITEM	SYMBOL	MIN.	TYP.	MAX.	UNIT.
Frequency Of Maximum Clock	f_{CP}	-	-	8	MHZ
CL1, CL2, Pulse Width	t_w	45	-	-	ns
Rise, Fall Time	t_r, t_f	-	-	15	ns
Data Setup Time	t_{DSU}	20	-	-	ns
Data Hold Time	t_{DHD}	20	-	-	ns
CL1 Setup Time	t_{LSU}	80	-	-	ns
CL1 → CL2 Time	t_{LC}	80	-	-	ns
FLM Setup Time	t_{setup}	100	-	-	ns
FLM Hold Time	t_{hold}	100	-	-	ns
M Delay Time	t_{DF}	-	-	300	ns



■ BLOCK DIAGRAM

